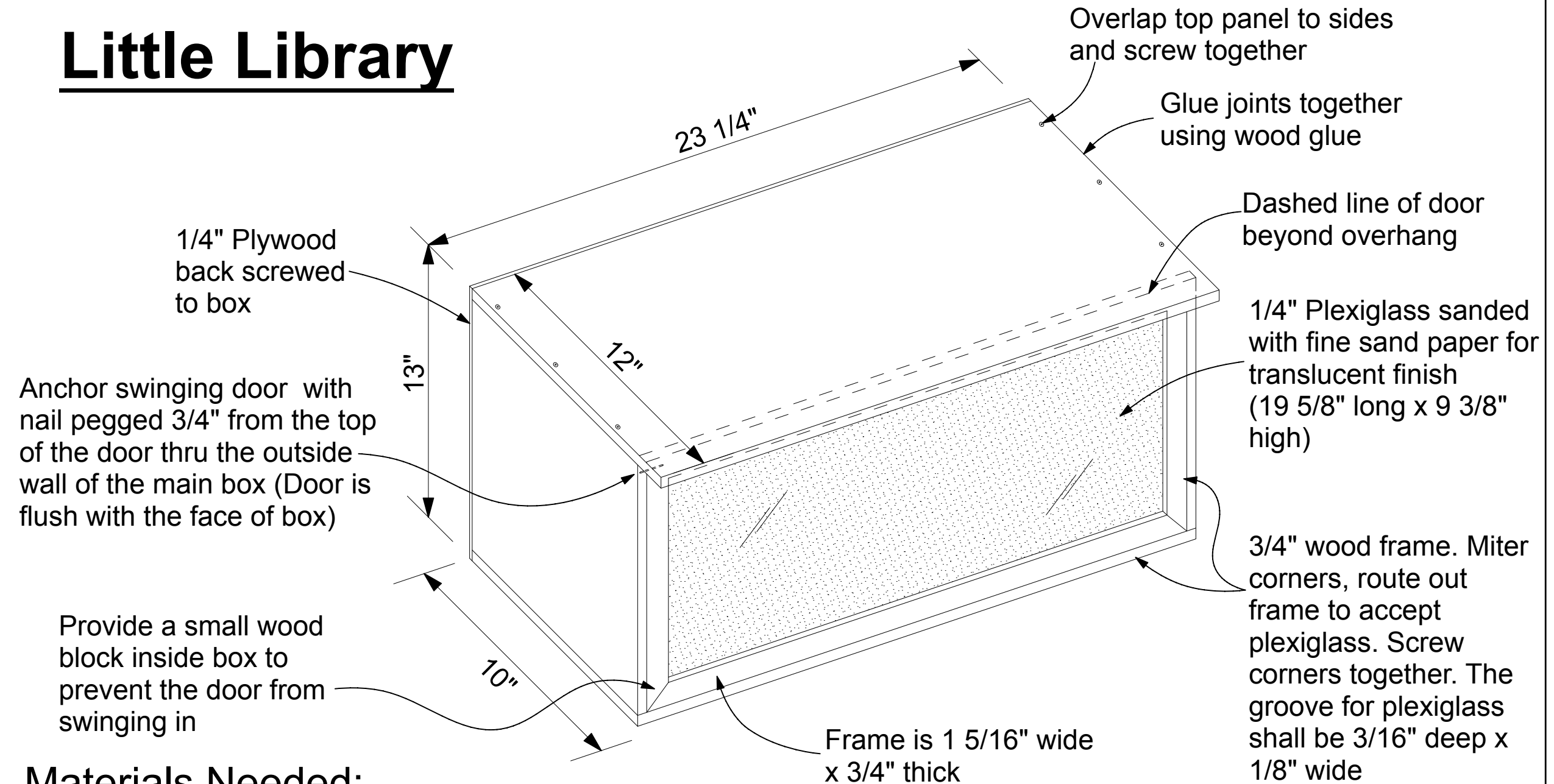


Little Library



Materials Needed:

- 3/4" Plywood or pine shelf board cut to 23 1/4" x 12" (1 piece - top)
- 3/4" Plywood or pine shelf board cut to 23 1/4" x 10" (1 piece - bottom)
- 3/4" Plywood or pine shelf board cut to 11 1/2" x 10" (2 pieces - right/left side)
- 1/4" Plywood cut to 23 1/4" x 13" (1 piece - backing)
- 1 5/16" x 3/4" plywood cut to 21 3/4" long and mitered (2 pieces - top/bottom of door)
- 1 5/16" x 3/4" plywood cut to 11 1/2" long and mitered (2 pieces - right/left of door)
- Plexiglass cut to 19 5/8" x 9 3/8" (front window)
- (20) 1.5" drywall screws (16 for main compartment & 4 for door)
- 2 Nails for door hinges